

Assembly & Installation Guidelines Built-in Wardrobe — Galleria BIR2.9

Please read these guidelines carefully before installing and using the product.

SAFETY INFORMATION

- Always wear appropriate safety equipment.
- This product requires two people for installation.
- If this product falls down, serious or fatal crushing injuries can occur. This product should be permanently fixed to the wall – contact your local fastening device retailer for advice on what fastening devices are suitable for your walls.
- Assembly should be carried out by an appropriately skilled person, due to the risk of wrongful assembly leading to injury or damage.

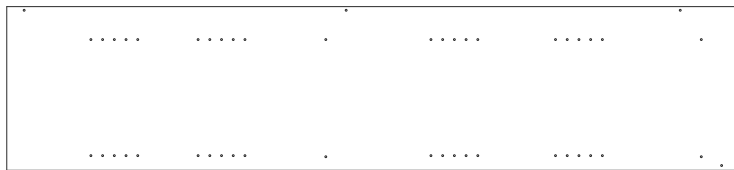
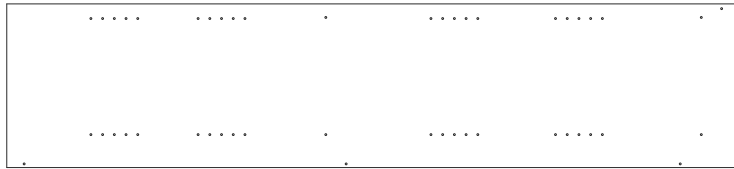


Assembly & Installation Guidelines

Built-in Wardrobe — Galleria BIR2.9

ITEMS INCLUDED IN THE BOX

TOWER SHELL BOX



2 x shelf tower sides (left, right)
2000 mm W x 447 mm H x 16 mm D



1 x shelf nailer
575 mm W x 95 mm H
x 16 mm D



1 x front toe
575 mm W x 95 mm H
x 16 mm D



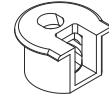
2 x nailers
575 mm W x 95 mm H
x 16 mm D



1 x deck
575 mm W x 447 mm H
x 16 mm D



1 x fixed shelf
575 mm W x 447 mm H
x 16 mm D



16 x cams
20 mm diameter



16 x cam bolts
16 mm H x 6 mm diameter



16 x adjustable shelf pins
10 mm W x 14 mm H x 13 mm D

TOP SHELF BOX



1 x top shelf
Up to 3000 mm W x 447 mm H x 16 mm D



1 x back cleat
Up to 3000 mm W x 95 mm H x 16 mm D



1 x hanging rail
3000 mm W x 35 mm diameter



2 x side cleats
425 mm W x 95 mm H x 16 mm D



Fast caps (white dots)
14 mm diameter

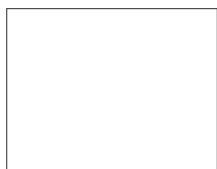


8 x hanging rail screws
16 mm H x 6 mm diameter



4 x hanging rail brackets
45 mm H

ADJUSTABLE SHELVES BOX



2 x adjustable shelves
575 mm W x 447 mm H x 16 mm D

EXTRA ITEMS AND TOOLS REQUIRED CHECKLIST

These items are readily available from all major hardware stores.

Drill and No.2 Phillips head driver	<input type="checkbox"/>	Builder's square	<input type="checkbox"/>
3 mm drill bits	<input type="checkbox"/>	Countersink drill bit	<input type="checkbox"/>
Multi tool	<input type="checkbox"/>	Hammer	<input type="checkbox"/>
Stepladder	<input type="checkbox"/>	Liquid Nails	<input type="checkbox"/>
Phillips head screwdriver	<input type="checkbox"/>	Gapping	<input type="checkbox"/>
Spirit level	<input type="checkbox"/>	Packers	<input type="checkbox"/>
Measuring tape	<input type="checkbox"/>	6 gauge 40 mm screws	<input type="checkbox"/>
Pencil	<input type="checkbox"/>	6 gauge 13 mm screws	<input type="checkbox"/>
Circular saw	<input type="checkbox"/>	6 gauge 28 mm screws	<input type="checkbox"/>
Silicone/caulking gun	<input type="checkbox"/>	Wallmates	<input type="checkbox"/>
Stud finder	<input type="checkbox"/>		

IMPORTANT BUILDING TERMINOLOGY

In construction, tradespeople use terms like 'square', 'level' and 'plumb' to be sure that their measurements are accurate, and the finished project is successful. Here are some definitions of common building terminologies.

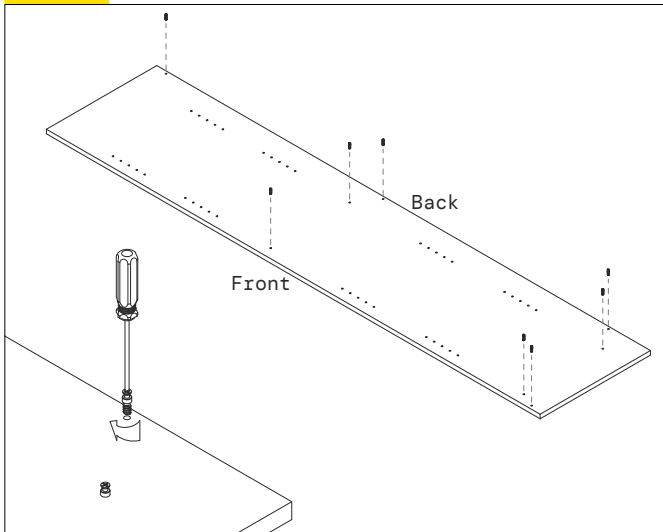
- Square:** when corners are 90 degrees.
- Level:** straight from side to side, like a shelf that's been properly installed.
- Plumb:** straight up and down, like the walls of a building.
- Flush:** when two adjoining surfaces are perfectly flat next to each other.
- Skirting:** a board that runs along the border between the interior wall and the floor.
- Architrave:** is used to frame windows and openings to conceal any shrinkage or movement that may occur between the wall and the casing within the door surround.
- Jamb:** is a flat surface that runs vertically on each side of the door frame.
- Scribe:** cutting away the waste material that is preventing two materials from meeting together perfectly.

IMPORTANT INFORMATION

- Pre-drill board and countersink before fixing to walls.
- Read guidelines carefully before commencing.

Assembly & Installation Guidelines Built-in Wardrobe — Galleria BIR2.9

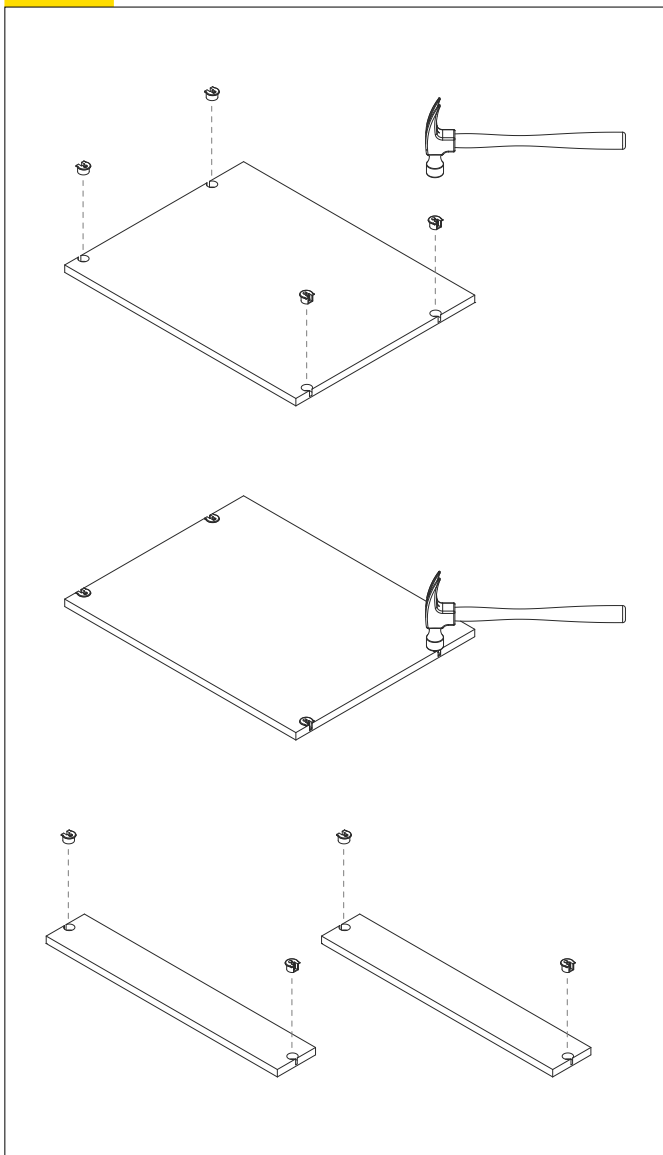
Step 1



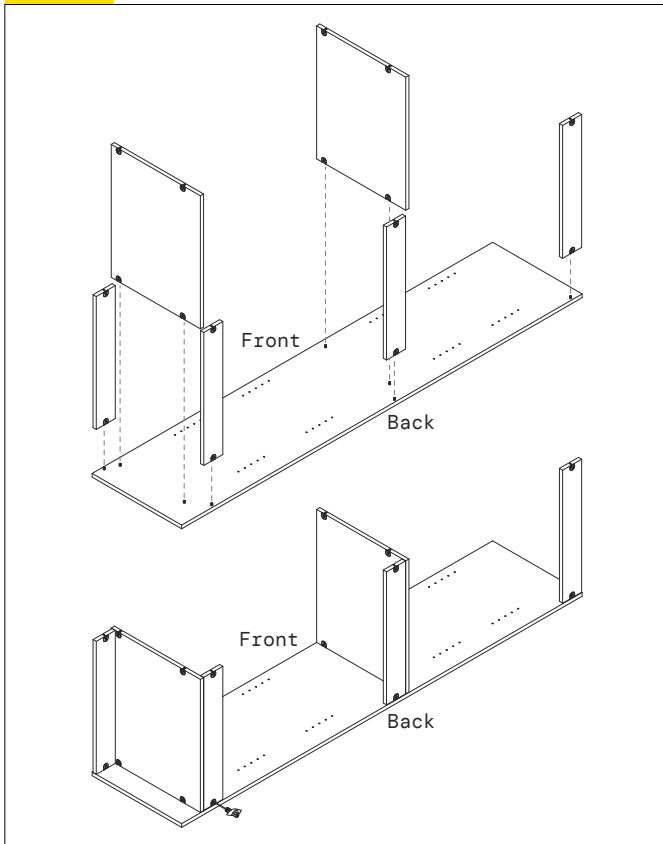
Open tower shell box.

Screw in cam bolts (both sides).

Step 2



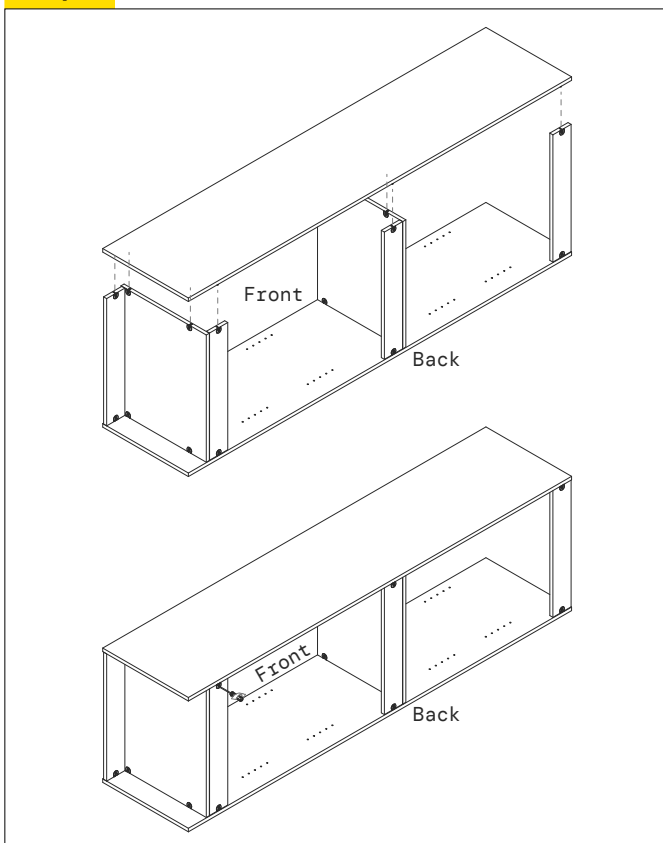
Hammer cams into nailers, toe, deck and fixed shelf.

Step 3

Place nailers over cam bolts and tighten.

Place deck over cam bolts and tighten.

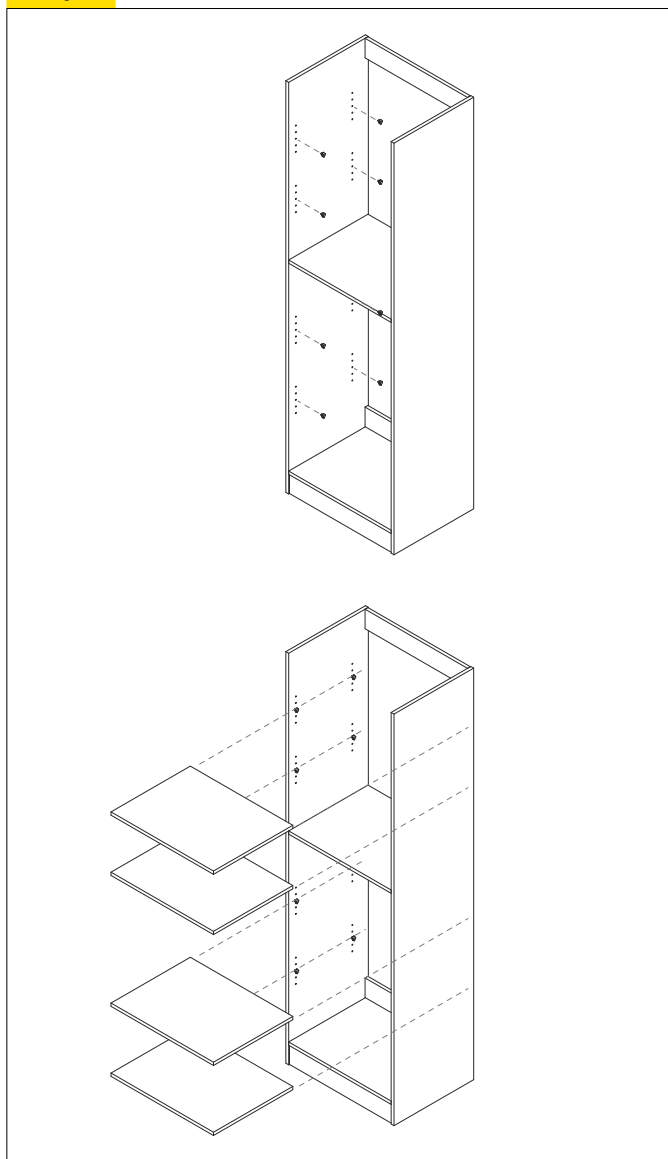
Place fixed shelf over cam bolts and tighten.

Step 4

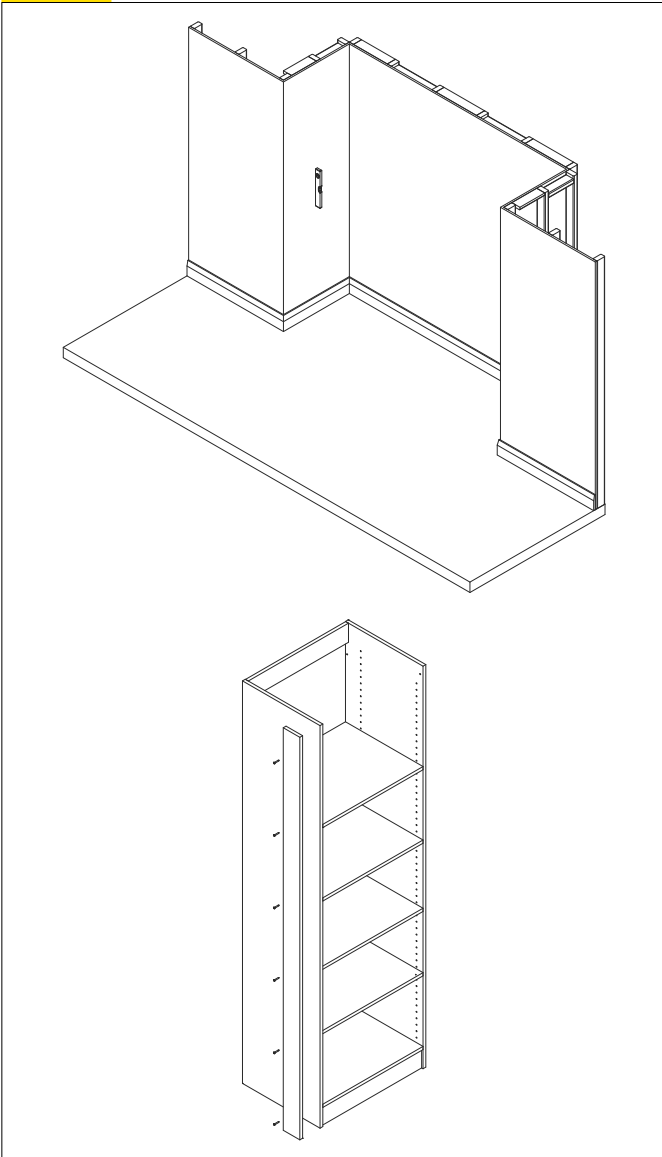
Place side on top over cam bolts and tighten cams.

Assembly & Installation Guidelines Built-in Wardrobe — Galleria BIR2.9

Step 5



After tower has been positioned and fixed to the wall, fit shelf brackets in and place shelves at desired height.

Step 6

Check wall for plumb, place level on wall.

If wall greater than 3 mm out of plumb, scribe infill.

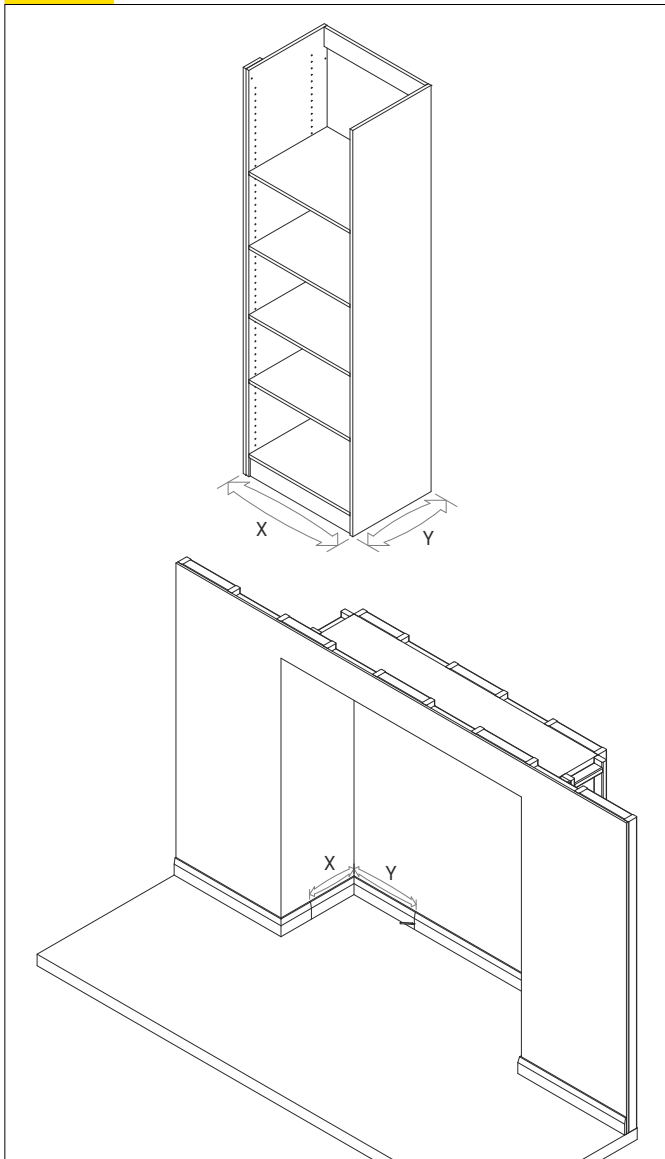
If required, using the 6 x 28 6-gauge screws, screw 16 mm infill to wall side of shelf unit flush with the front.

TIP: Refer to our guide – How to scribe infill.

All our guides are located at:
stegbar.com.au/support

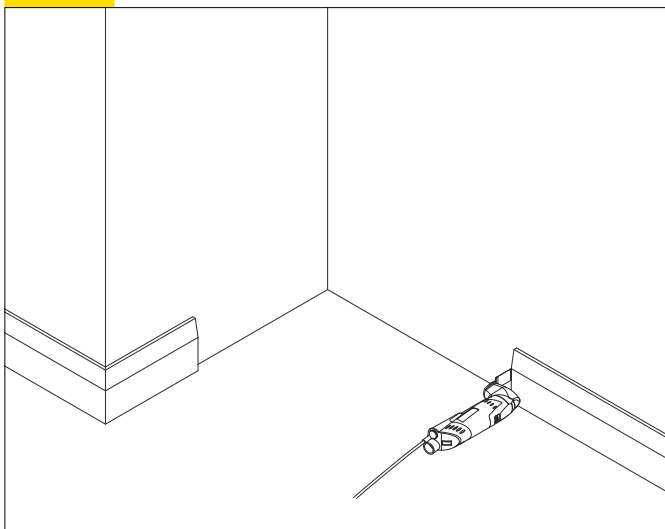
Assembly & Installation Guidelines Built-in Wardrobe — Galleria BIR2.9

Step 7



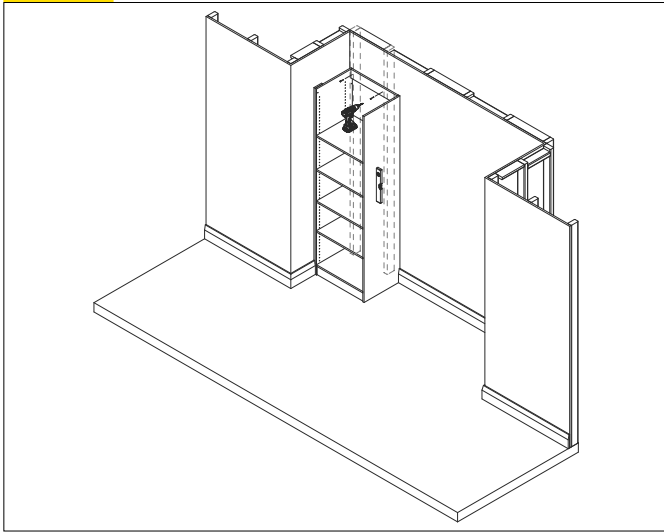
Measure the width and depth of tower and mark skirting with pencil (be sure to include the infill if infill required).

Step 8



Use multi tool to cut and remove skirting where tower is to be installed.

Step 9



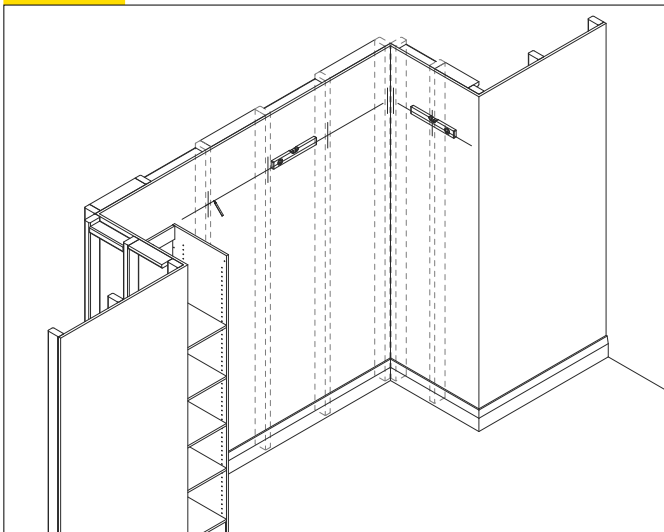
Pre-drill 2 x 3 mm holes into tower nailer. Place tower in position.

Place level on tower to ensure level and plumb. Mark wall with pencil.

Fix 40 mm screw into stud – if stud is not present, then fix with screw and plug (wallmate).

TIP: Use packers to level tower. Pre-drill and countersink board.

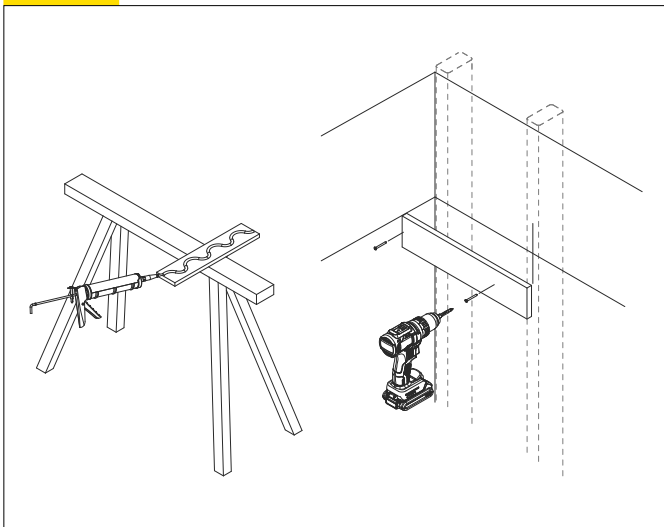
Step 10



Use spirit level to mark horizontal line from top of shelf unit across full width of rear wall for back cleat and side cleat positioning.

Locate wall studs with stud finder and mark wall above pencil line (no greater than 16 mm).

Step 11

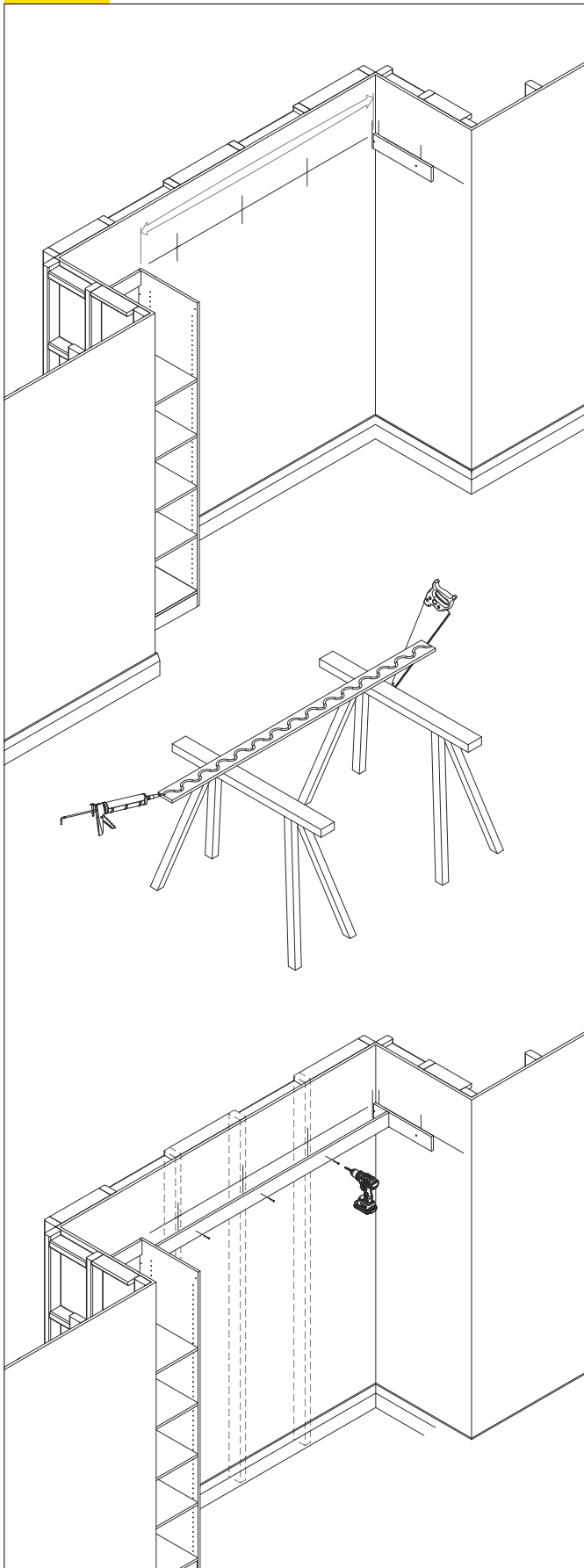


Apply liquid nails to back of side cleat in radio wave pattern and screw cleat to wall into stud.

If stud is not present, then fix with screw and plug (wallmate).

Assembly & Installation Guidelines Built-in Wardrobe — Galleria BIR2.9

Step 12



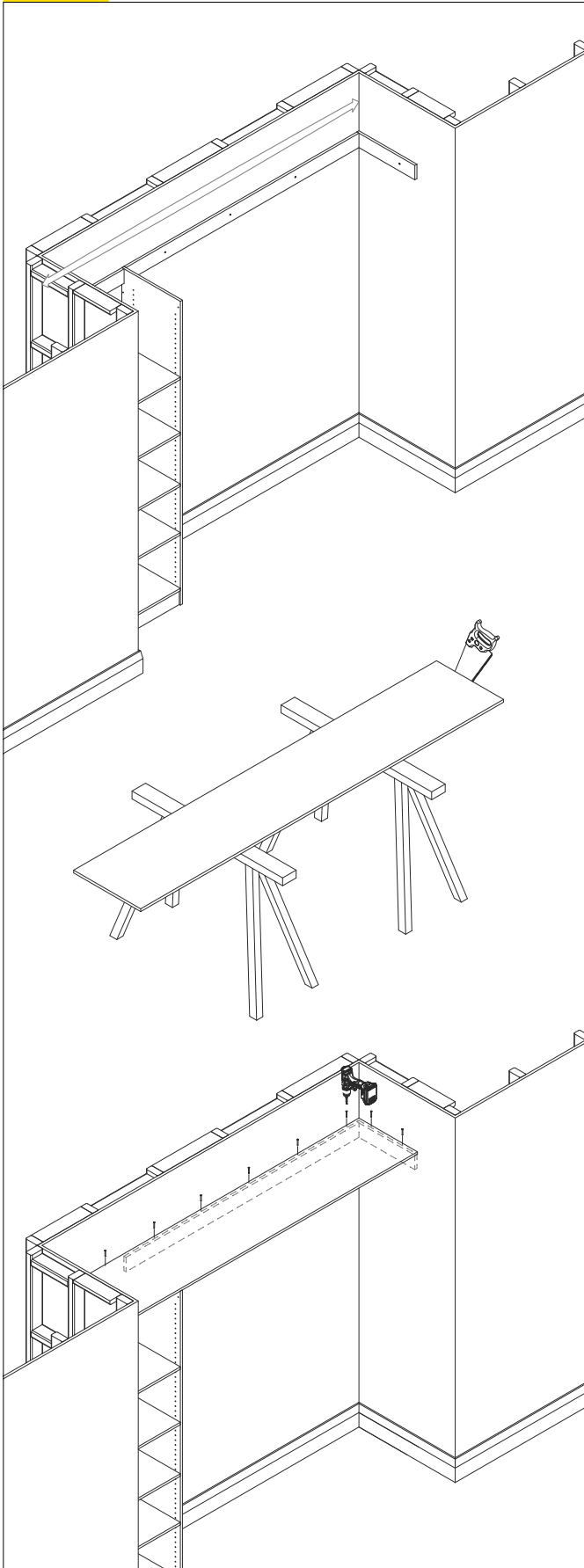
Measure distance from tower to side cleat.

Cut back cleat to size.

Apply liquid nails to back of cleat in radio wave pattern and screw cleat to wall into stud.

TIP: Pre-drill board and countersink.

Step 13



Open top shelf box.

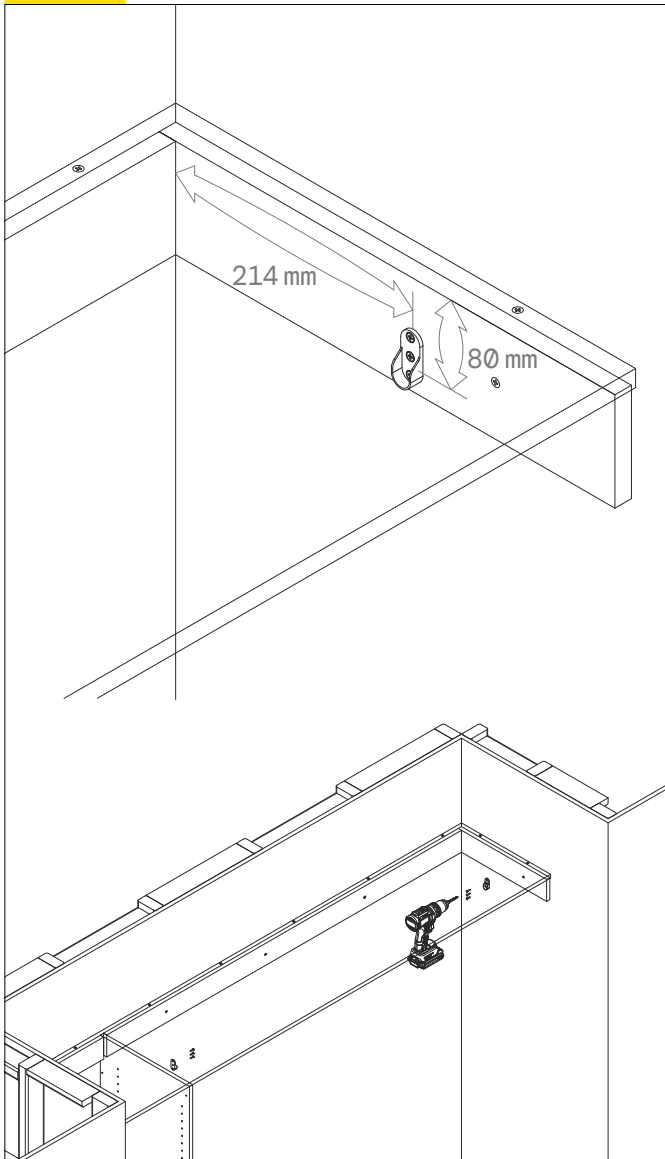
Measure top shelf width ensuring you check the walls are square using a square edge.

Cut top shelf to correct size allowing for wall run outs. Place top shelf into position, screw top shelf down into wall cleats using 40 mm screws.

TIP: Pre-drill board and countersink.

Assembly & Installation Guidelines Built-in Wardrobe — Galleria BIR2.9

Step 14

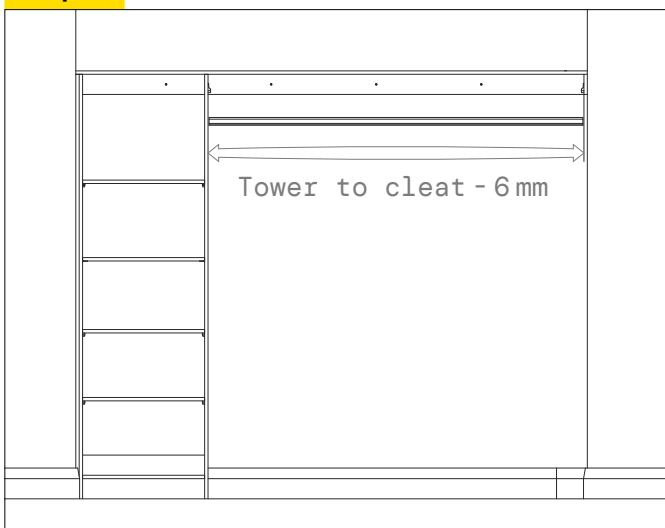


Measure 214 mm off cleat on back wall and 80 mm down from side cleat, thus measurement is to the bottom hole of hanging rod end.

Fix hang rail ends using 16 mm screws.

Repeat on tower side.

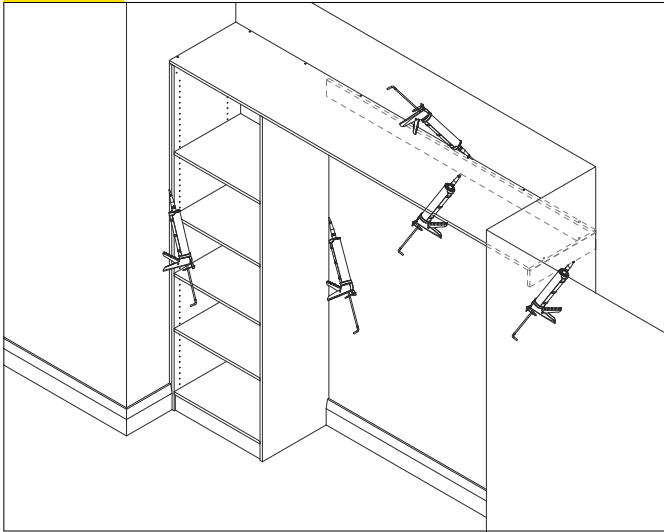
Step 15



Measure distance between board (tower to side cleat) and deduct 6 mm off overall width.

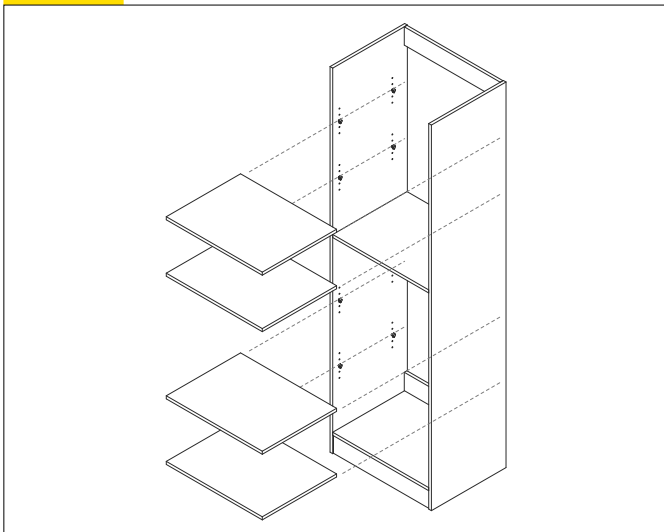
Cut hang rail to size and insert into hanging rail ends.

TIP: Face top hang rail with groove up – if double hang face down.

Step 16

Using caulking, gap all connections between board and wall or board and board.

TIP: Only gap top shelf if under 1800 mm high.

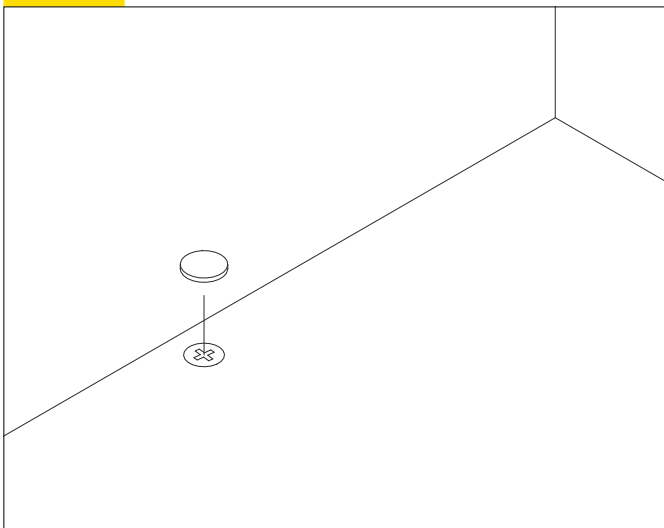
Step 17

Open adjustable shelves box.

Install adjustable shelves.

Place shelf pins into tower at desired heights.

Place shelf on pins.

Step 18

Fast cap (white dot) all screws.

Clean shelving with damp cloth and remove stickers.



Stegbar is not providing any installation of the product, which is your responsibility. The information in this assembly document is of a general nature only and is provided regarding a typical installation process. Accordingly, this assembly document does not take into account your specific circumstances, environment, needs, tools or skills.

You should not rely solely on the general information in this assembly document for installation. There are risks associated with installation and you assume those risks voluntarily by installing this product. To the extent permitted by law, Stegbar does not accept responsibility and is not liable for any loss, damage or injury suffered by you as a result of any circumstances specific to you that are not addressed in these assembly documents.

You should independently consider whether the services of any third party are appropriate for you. Any service supplied by a third party is subject to the terms and conditions of that third party. Stegbar is not responsible for any agreements, maintenance, delivery or satisfaction of any transactions undertaken with a third-party provider. To the extent permitted by law, Stegbar is not responsible and is not liable for any loss, damage or injury suffered by you as a result of the conduct of the third party.

Stegbar reserves the right to alter or amend without prior notice general information and design details specified in these assembly documents.
JWSNAT0569/0423 | stegbar.com.au | Version 1.0 | October 2023