

cedar bifold installation



Contents:	Page No:
-----------	----------

Kit assembly instructions	1
Frame installation	2
Door installation	3
Final adjustments	4
Fixing the head	5

Congratulations on choosing another Stegbar quality product. To ensure the Stegbar Bifolding door arrives in perfect condition, it has been shipped in kit form, ready for installation. The ease of operation of this bifold is critically dependant on the following assembly instructions. Also critical is ensuring that the head fixing is adequate. Please refer to *Fixing the Head* on page 5 of this manual before installing your bifold.

■ You should have received:

1. A bundle consisting of : 1 length of Head Track
1 length of Sill Track
2 lengths of Wall Jamb
1 box of Hardware components.
2. A sufficient number of door leaves with hardware attached to match the opening.

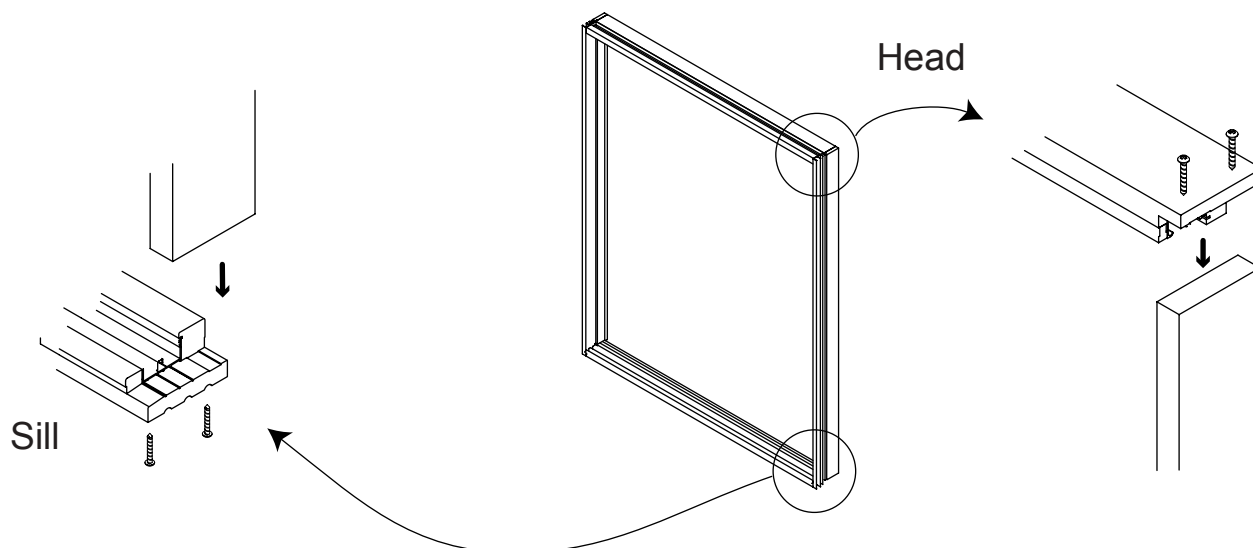
■ What to do before starting:

Familiarise yourself with all components, and unwrap all doors. SORT them by the code marked on the top of each door. Check that they are correctly sized and report any damage immediately. Remember that:

1. Door codes always run from left to right (looking from the outside)
2. The first door on the left will be TA, then TB, TC etc.
3. The code is always on the top of the door

■ Getting started

Screw the frame together using the screws provided. Each joint **MUST** be silicon sealed.



The most important criteria for a successful job are:

- a square opening*
- a rigidly fixed top track*
- a top and bottom track free from dirt and swarf*

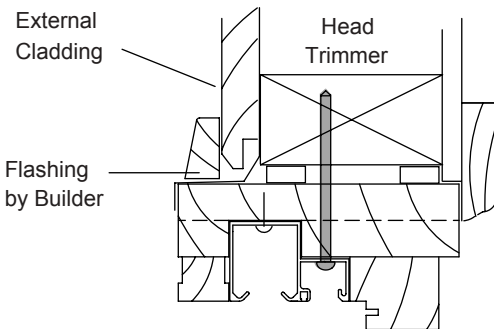
cedar bifold

frame installation

Fit the frame using these guides: (see separate sheet: *Fixing the Head* for further details)

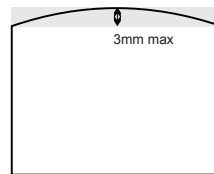


Head track must be fixed to a structural support to stop it from twisting.



NEW HOUSE:

To allow for settlement, the head should bow upwards by 3mm max (unloaded)

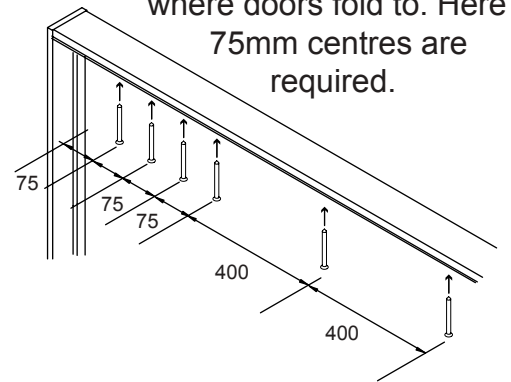


EXISTING HOUSE:

Head should be straight

NOTE:

Structural fixings should be at least 12 guage or 6mm in diameter and of correct length. This will ensure that they penetrate through the frame and into the structural beam. The head should be screwed at 400mm centres except at the end where doors fold to. Here 75mm centres are required.



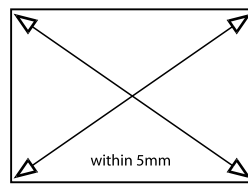
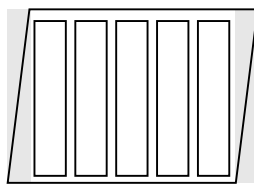
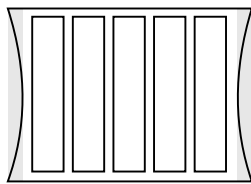
Tip

Pre-drill clearance holes in the head track on the ground before installing the frame into the opening. Remove the drill swarf and dirt before installing

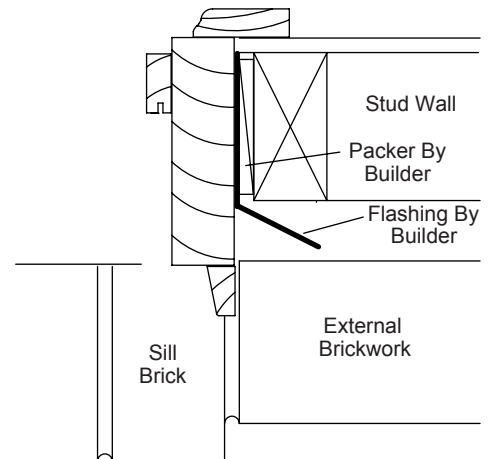


Jams should be packed and should not be bowed more than:

3mm max



double check diagonals

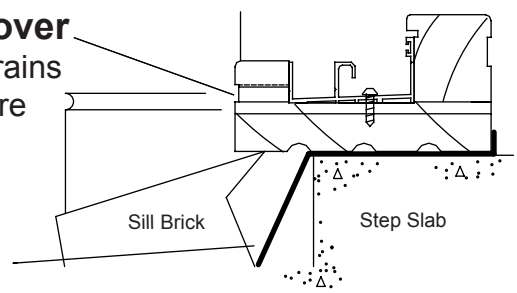


Sill track must be supported below either by the floor or by packers.

The sill must also be properly flashed

do not cover as water drains through here

flashing



Fit the doors using these guides: (refer to 'codes' sheet for door layout)

END DOORS

1. Screw Threaded Pivot Pin into Bottom Pivot Block

2. Remove Top Pivot Hinge from the side of Door

2. Remove Top Pivot Hinge from the side of Door

3. Slip Door - Bottom Pivot Hinge over Threaded Pivot Pin.

3. Slip Door - Bottom Pivot Hinge over Threaded Pivot Pin.

4. Place Top Pivot Hinge and pin into Top Pivot Block and re-attach Hinge to door.

4. Place Top Pivot Hinge and pin into Top Pivot Block and re-attach Hinge to door.

5. Using the adjusting screws at the Top and the Bottom (shown) to plumb End Doors.

5. Using the adjusting screws at the Top and the Bottom (shown) to plumb End Doors.

NOTE:
Do NOT use a power driven screwdriver to assemble the doors

CENTRE DOORS A

Support Door B bottom edge level to Door A and screw hinges to Door B.

Door A Door B

doors level outside

CENTRE DOORS B

1. Screw Threaded Pivot Pin into head roller using screw-driver. Remove shipping clip to lock (see Final Adjustment section)

2. Screw Hinges to other Door ensuring bottom of doors are level

outside

cedar bifold

■ final adjustments

Once all doors are hung:

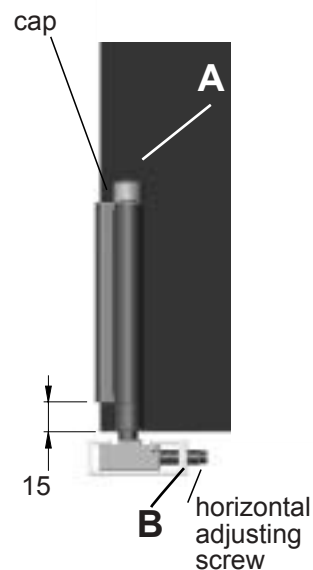
- Square up the doors by using adjustment at each joint.

A. Use a screwdriver to adjust doors up and down.
Once adjusted, **tap on cap with a hammer.**

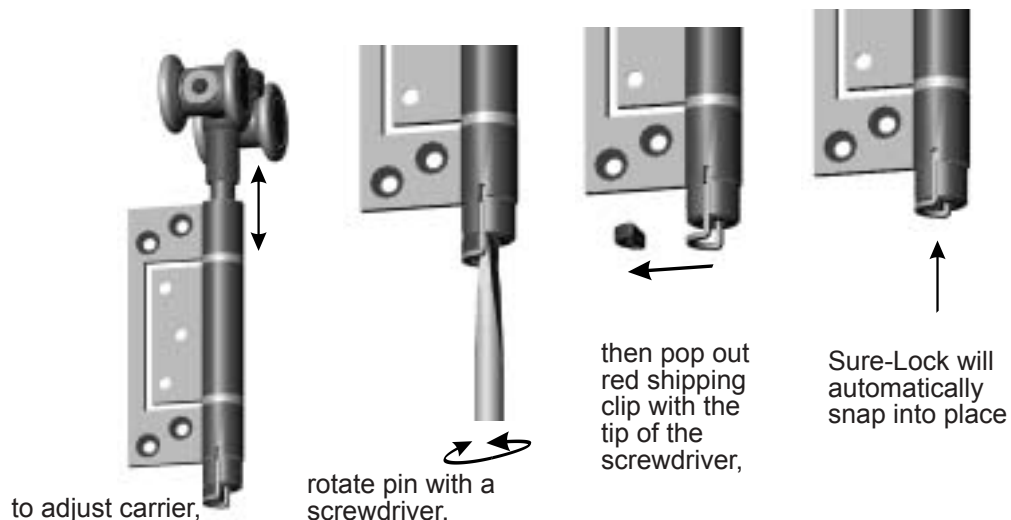
B. Adjust the horizontal screws on the the floor to move doors in or out of the jamb.

**Tip**

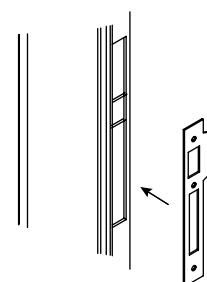
When adjusting doors, ensure that the doors make full contact with the seals on the inside frame when the doors are fully closed.



- Adjust the doors up and down in the centre as below:



- Close the door to obtain the position of the lock beak. Mark its location. Route out the holes for the lock beak and deadlock to a depth of 30mm. Attach the striker

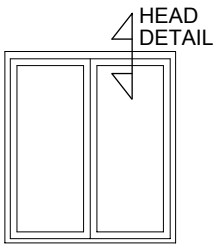
**Finally:**

Ensure that all tracks are clean.

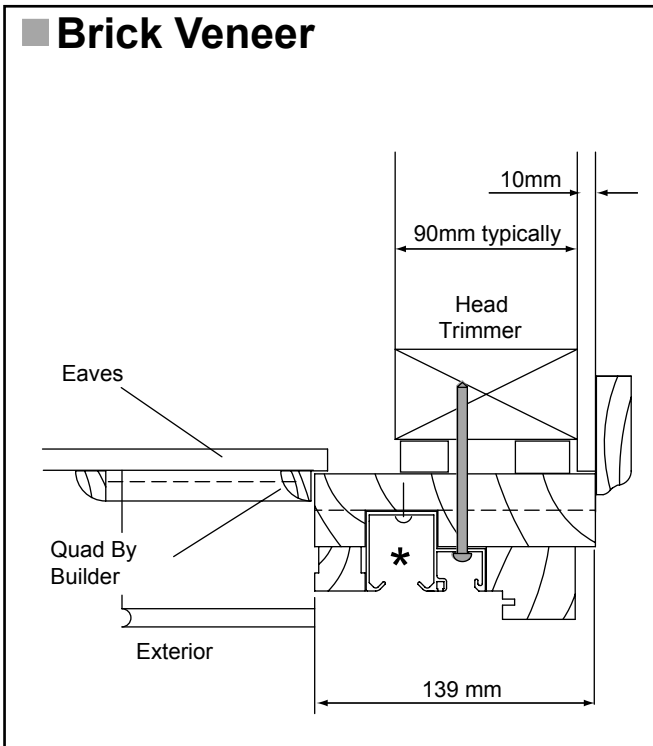
Regular application of a corrosion preventative is recommended to extend the life of the hardware.

Failure to follow the instructions on these pages may void the warranty.

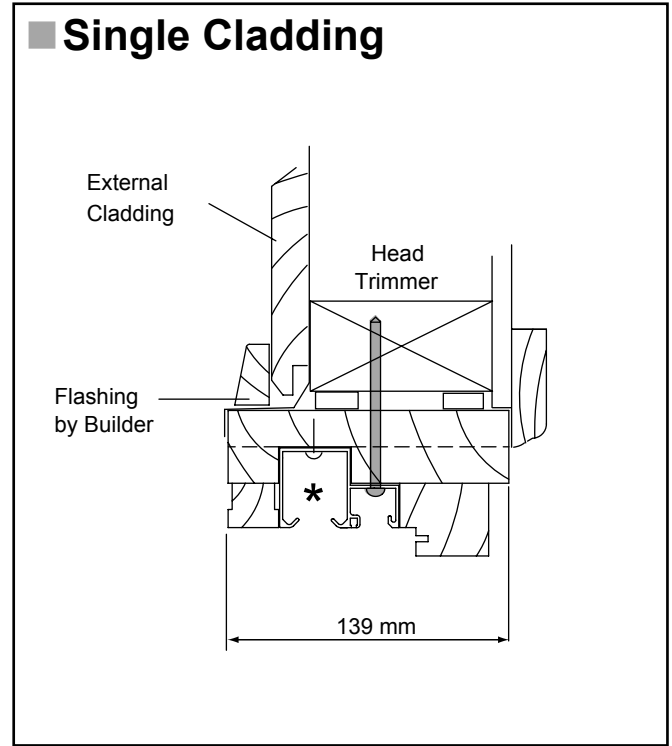
Service calls to Stegbar for incorrectly installed bifolds WILL incur a service charge.



Brick Veneer

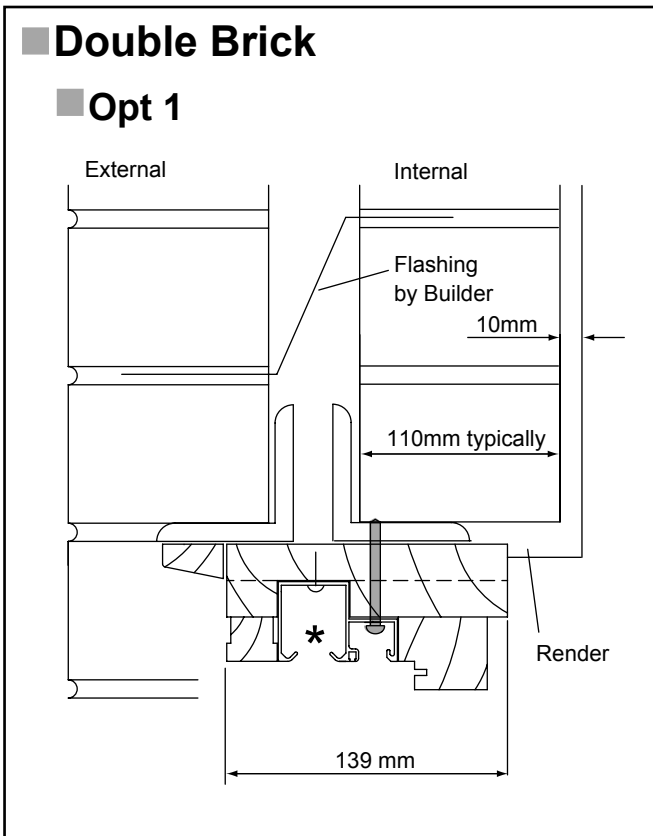


Single Cladding

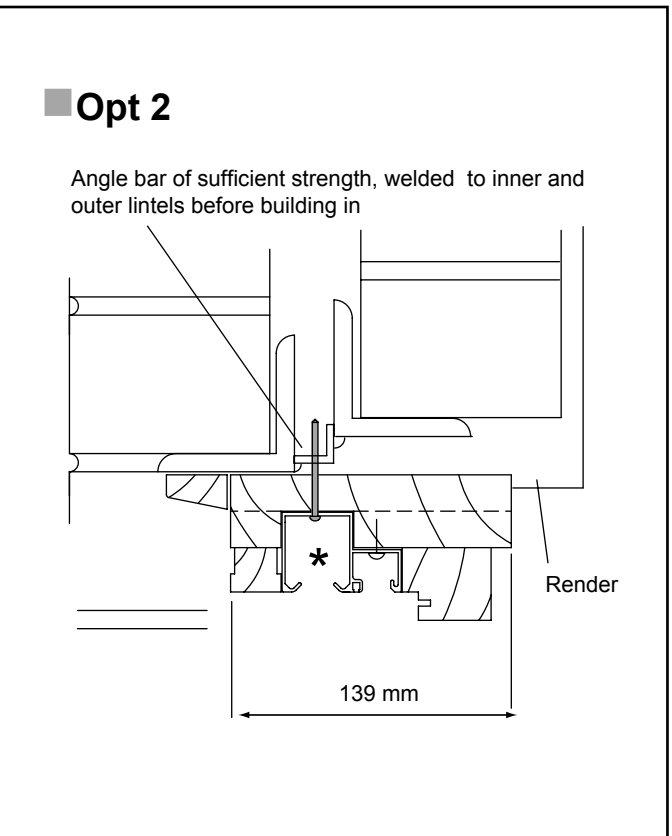


Double Brick

Opt 1



Opt 2



* Ensure that head track is clean from debris, is square and correctly fixed.

Note: Drawings show typical construction practices - brick widths and timber framing dimensions may be different



**Timber
Windows & Doors**



Mirrors



**Aluminium
Windows & Doors**



Wardrobes



**A.T. 2000 Series™
Windows & Doors**



Showerscreens



**Timber Entry
Doors**



ComfortPac™



Splashbacks



**Stegbar
Installation Service**



For further information please call 1800 681 168
Or visit our website www.stegbar.com.au