

cedar bi-fold door instructions

Important:
Bi-fold doors are not
self supporting or structural



Contents:

Page No:

manufacturing check list	1
for the installer - frame assembly	2
for the installer - hilite assembly	3
for the installer/homeowner - final adjustment	4
for the homeowner - spare parts list	5

Your bi-fold door has been inspected to ensure that it has been assembled to our exacting quality standards. Every item below has been checked and signed for this door.

■ Product details

Order number: _____

Inspection date: _____

■ Product quality

1. Check to ensure that the frame is square by:

a. Diagonal measurements are identical _____

b. Even gaps between door sashes _____

2. Check the sealing of the door by:

a. Doors compress the seal in the sill, head and jambs _____

b. No daylight visible between the door sashes _____

3. Check door locking by:

a. Even 5mm gap at jamb where lock is required _____

b. Key number matches the last digit on the job card _____

c. Door moves freely and lock activates without force _____

4. Final inspection by:

a. Installation instructions attached to the door handle _____

b. Clean of sealant, metal shavings, scratches, dents _____

c. For open-in doors, check that flush bolts and handle screws are on the inside face _____

■ Inspected by

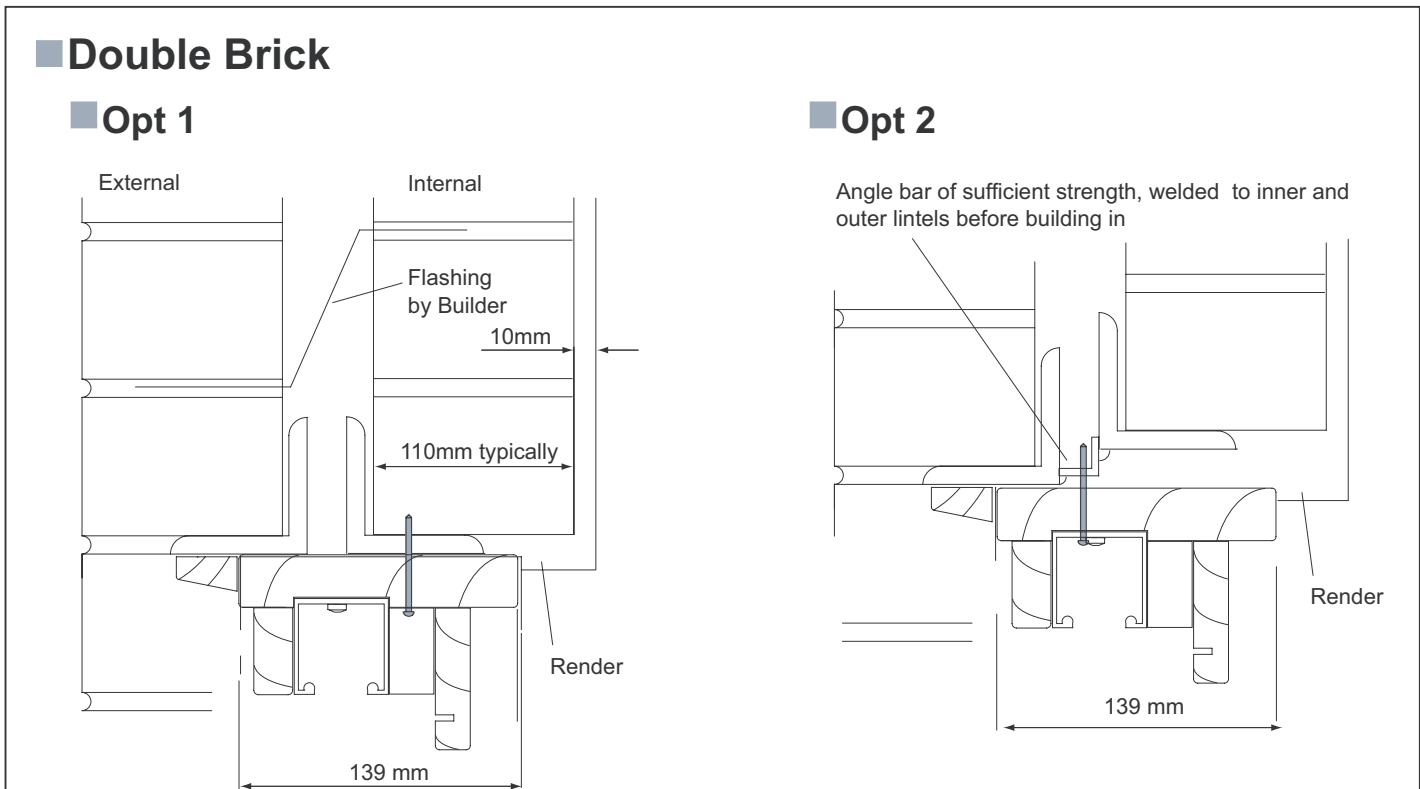
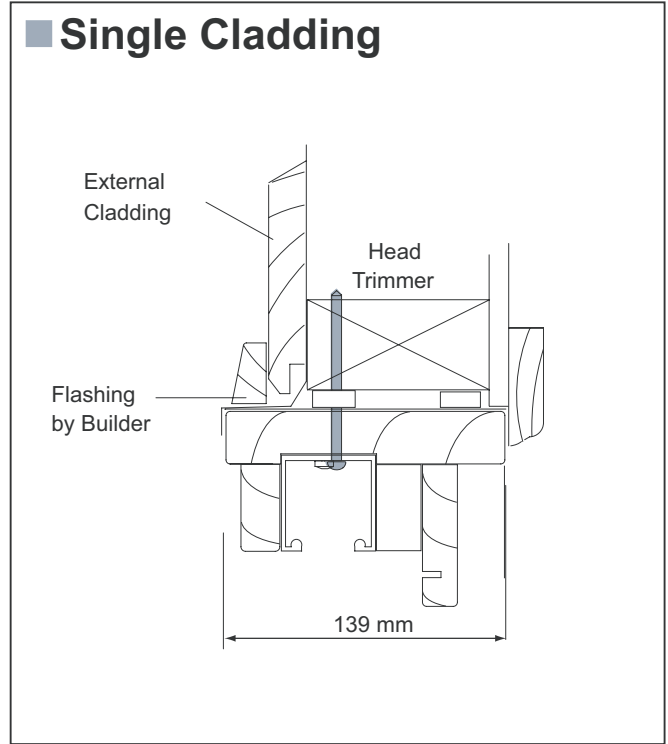
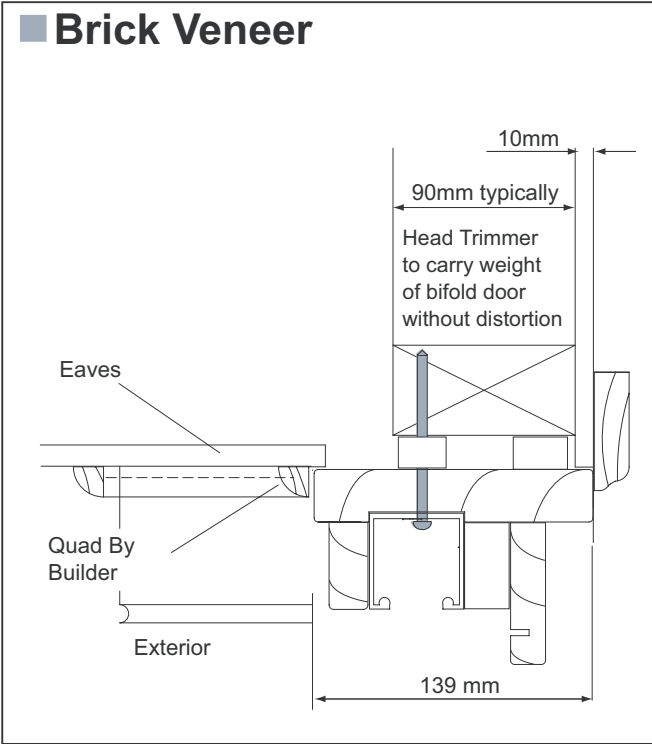
Assembler: _____

Supervisor: _____


Bi-fold doors are not self supporting or structural. The most important criteria for a successful job are:

- a square opening
- a clean head and floor track
- a rigidly fixed top track (as shown below)

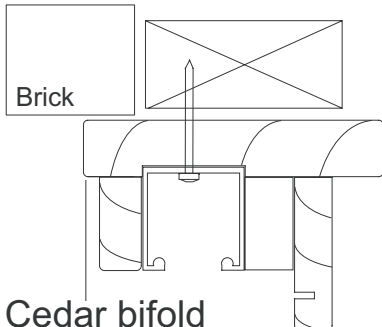
Fix the top track as shown:



Fit the frame using these guides:



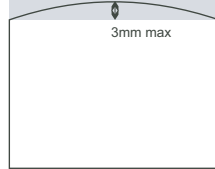
HEAD track must be fixed to a structural support to stop it from twisting.



Brick

Cedar bifold

NEW HOUSE:
Head should bow upwards by 3mm max (unloaded)

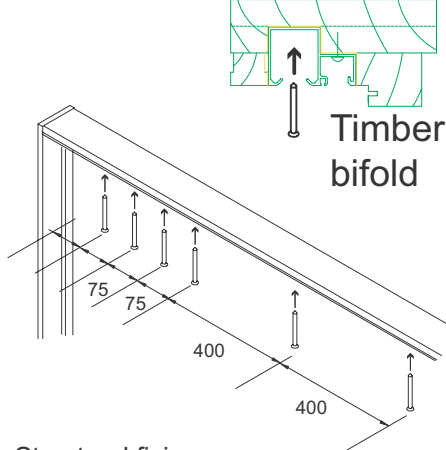


3mm max

slightly pre-bow head (unloaded)

EXISTING HOUSE:
Head should be straight


Fasten Head as shown:




Timber bifold

75 75 400 400

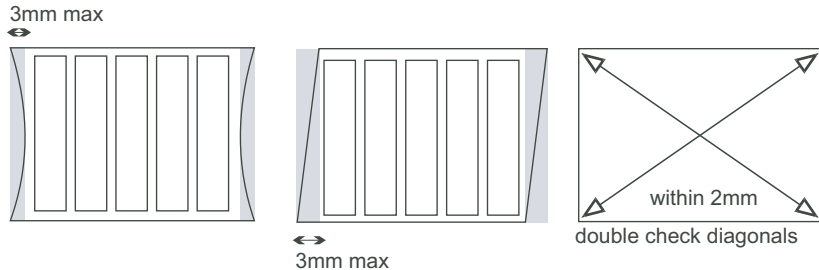
Structural fixings should be **at least** 12 guage or 6mm and 60 mm long. This will ensure that they penetrate through the frame and into the structural beam.



Tip Pre-drill clearance holes in the head track on the ground before installing the frame into the opening. Remove the drill swarf and dirt before installing



Jambs should be packed and should not be bowed more than:

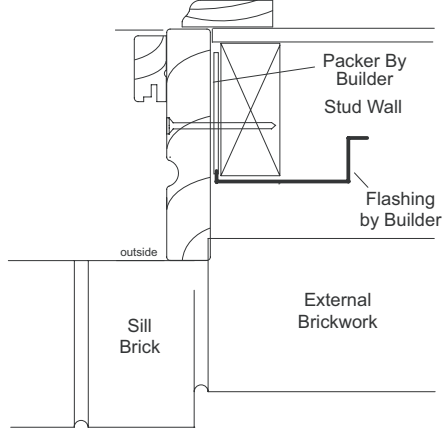


3mm max

3mm max

within 2mm

double check diagonals



Packer By Builder


Stud Wall

Flashing by Builder

outside

Sill Brick

External Brickwork



Sill track must be supported below either by the floor or by packers.

The sill must also be properly flashed



drain hole must be left open

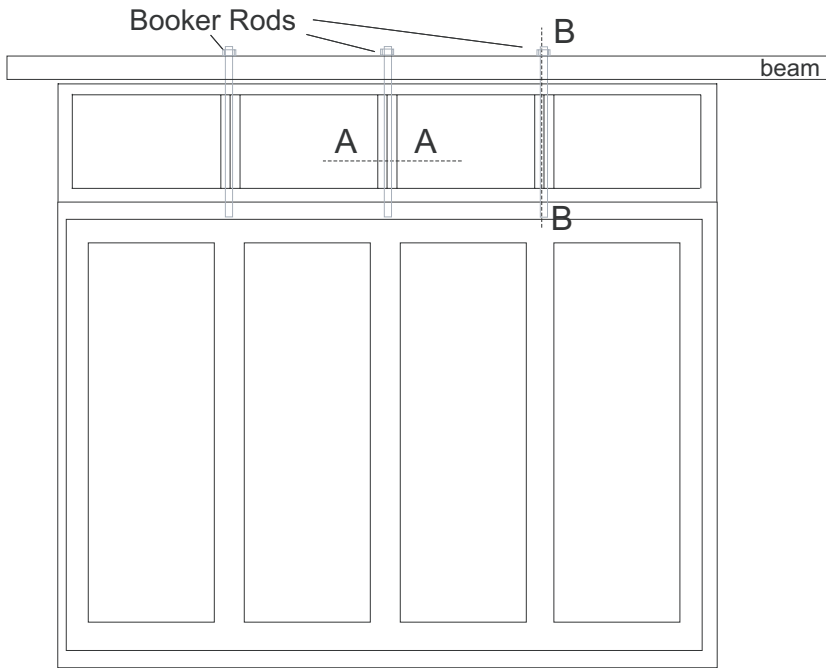
flashing

Sill Brick

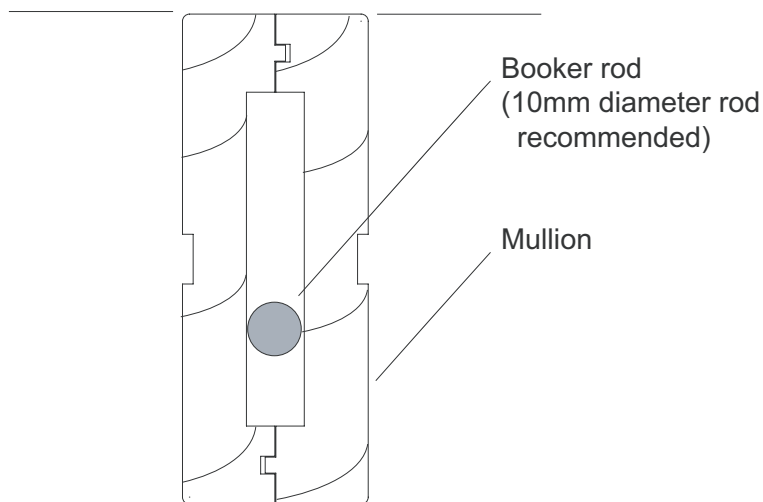
Step Slab

Bi-folds with hi-lites, **must** use booker rods. These are installed between the mullion and fixed between the head of the bifold and into the beam of the house.

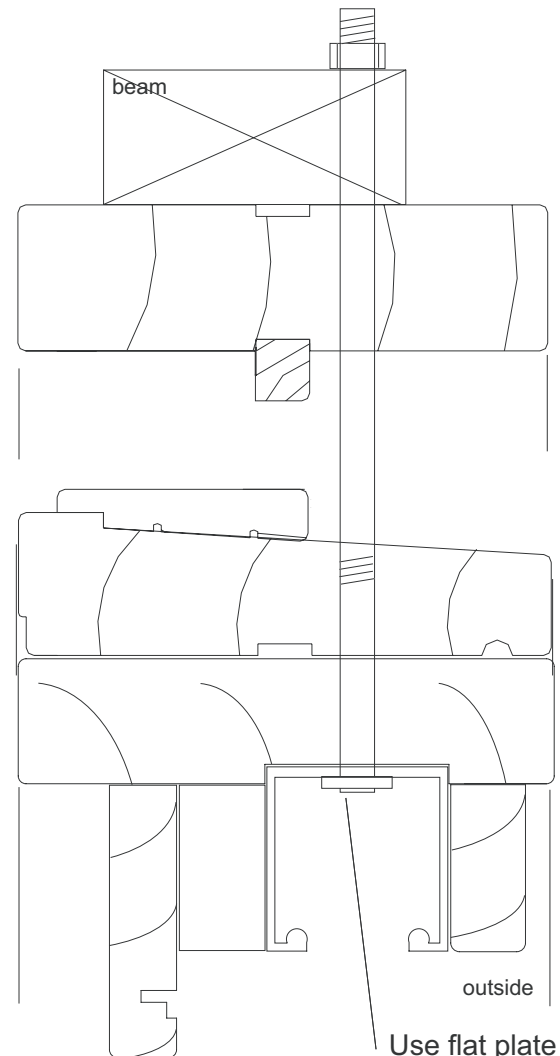
Any bowing to head or sill in excess of 3mm will cause the door to function incorrectly



FRONT VIEW



SECTIONAL VIEW A-A



Use flat plate to fix booker rod (a nut will not give clearance for doors)

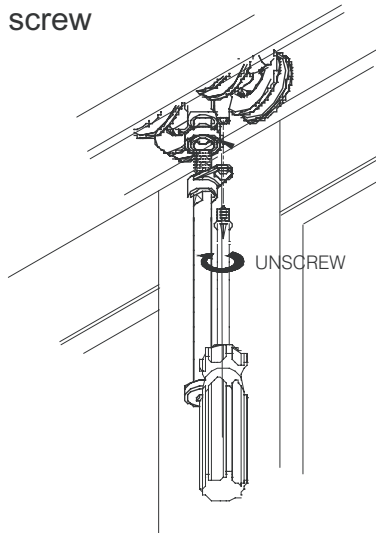
SECTIONAL VIEW B-B

- Once installed, the bi-fold door may require slight adjustment to ensure smooth operation and good sealing.

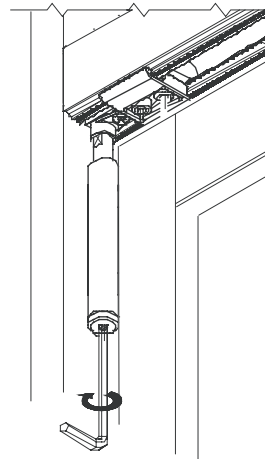
A. UP AND DOWN ADJUSTMENT

Adjust doors up and down at each of the pivots:

1. Unscrew locking clamp and remove clamp and screw



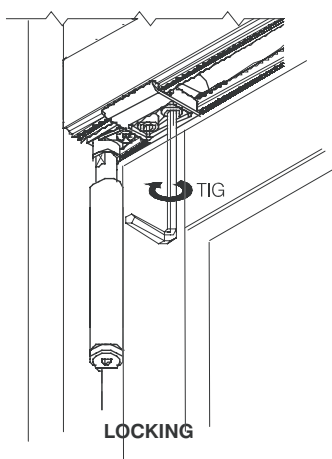
2. Adjust door up and down as shown



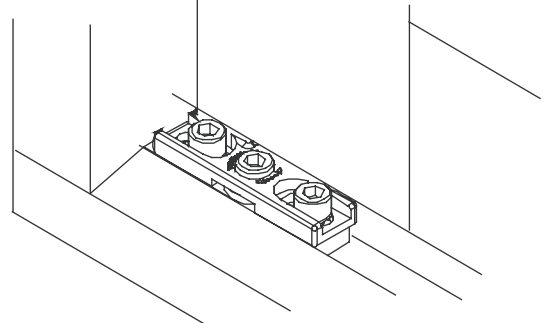
B. SIDEWAYS ADJUSTMENT

Adjust doors sideways at the end pivots as shown:

1. At top, unscrew and move door sideways, screw back up once adjusted



2. At bottom, determine how much adjustment is required. Open doors, and unscrew the two end screws. Adjust door sideways, using the centre screw and clamp back up the two end screw once adjusted



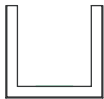
Part description and part number



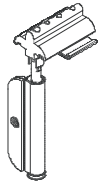
292521- frame seal



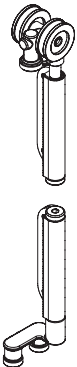
292063 -door seal



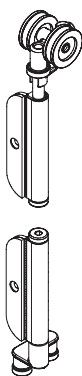
282800 - plastic sill track



Pivot & Anchor Set
142800

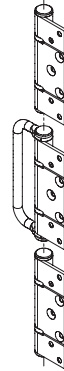


End Hanger Set - Left Hand - **142801**

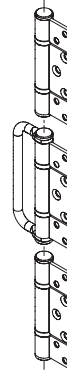


End Hanger Set - Right Hand - **142802**

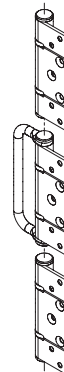
Part description and part number



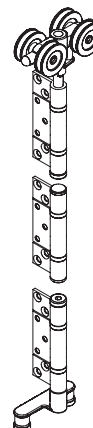
Jamb Hinge Set
142806



Intermediate Hinge Set
Outward Opening
142803



Intermediate Hinge Set
Offset Outward Opening
142805



Intermediate Hanger & Guide Set
142804



Timber Windows & Doors



Mirrors



Aluminium
Windows & Doors



Wardrobes



A.T. 2000 Series™
Windows & Doors



Showerscreens



Timber Entry Doors



ComfortPac™
Glass Options



Splashbacks



Stegbar Installation
Service



Part of the JELD-WEN family

For further information please call 1800 681 168
Or visit our website stegbar.com.au